

Series 740

Compression column load cell for weighbridges

capacities 15 tonnes - 40 tonnes



Stainless steel load sensor

Self-centering column design with anti-rotation pin

Hermetically welded and sealed to IP68

1 year warranty

Lightning protection

4000 divisions OIML R60 Class C

Mounting accessories available

pre-corner adjustment optimised for multi-cell systems

Simple installation

ATEX version available

This self centering column load cell is manufactured from high quality stainless steel and has a high specification polyurethane cable. A comprehensive range of capacities is available in one body size. The Model 740 cell is designed specifically for weighbridge applications

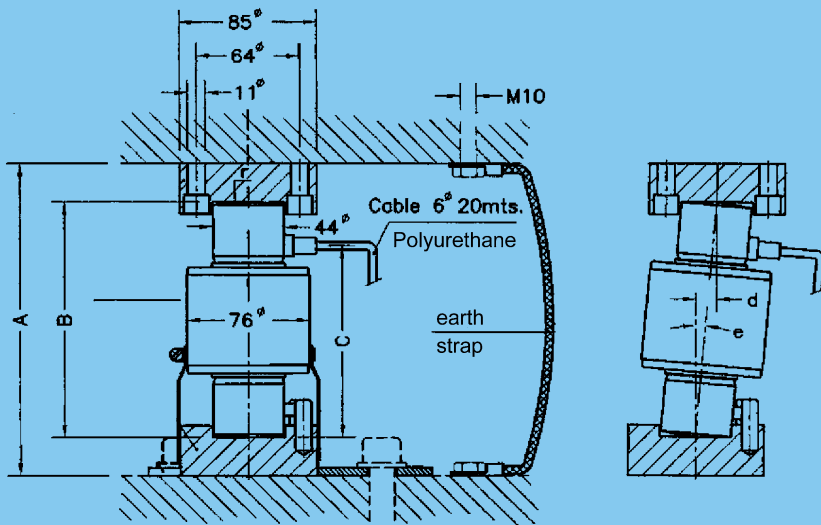
technical specification sheet

Series 740

	Load Cell Capacities	Units
Standard Load Ranges	15, 20, 30, 40	tonnes
Rated Output	2	mV/V±0.1%
Combined Error	<±0.013	%*
Non-repeatability	<±0.015	%*
Creep (30 minutes)	<±0.012	%*
Temperature Effect on Zero Balance	<±0.01	%*/°C
Temperature Effect on Sensitivity	<±0.006	%*/°C
Compensated Temperature Range	-10 to +40	°C
Operating Temperature Range	-30 to +70	°C
Safe Overload	150	%*
Ultimate Overload	300	%*
Zero Balance	<±2	%*
Input Resistance	800	Ω ± 5
Output Resistance	700	Ω ± 5
Insulation Resistance	>5000	MΩ @ 100v
Recommended Supply Voltage	10	V
Maximum Supply Voltage	15	V
Environmental Protection	IP68	-

*With respect to rated output

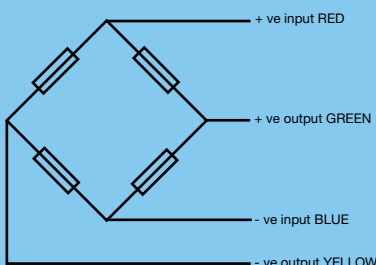
740 Mounting Accessories



Range	A	B	C	d. max.	e. max.	r. Radius Ball	Transport Weight kg
15 tonne	200	150	123	13	5°	130	2
20 tonne	200	150	123	13	5°	130	2.1
30 tonne	200	150	123	13	5°	160	2.3
40 tonne	200	150	123	13	5°	180	2.9

All dimensions in mm.

Electrical Connections



Shield: Not connected to transducer body

Construction

Load cell manufactured from stainless steel

Options

Mounting accessories.

Our policy is one of continuous product enhancement. We therefore reserve the right to incorporate technical modifications without prior notification.

Distributed by



Thames Side Sensors Ltd

Unit 10, io Trade Centre, Deacon Way,
Reading, Berkshire RG30 6AZ
tel: +44 (0) 118 941 1387 fax: +44 (0) 118 941 2004
e-mail: sales@thames-side.co.uk
web: www.thames-side.com